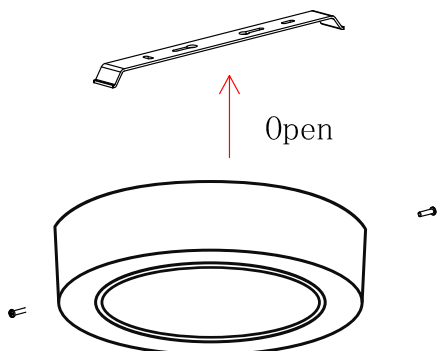
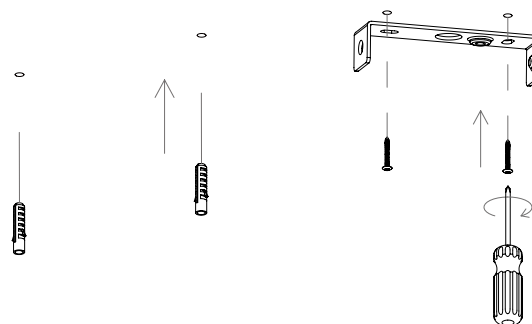


SURFACE DOWNLIGHT

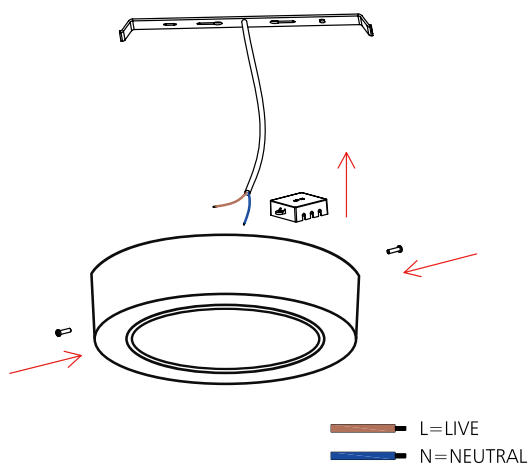
C512



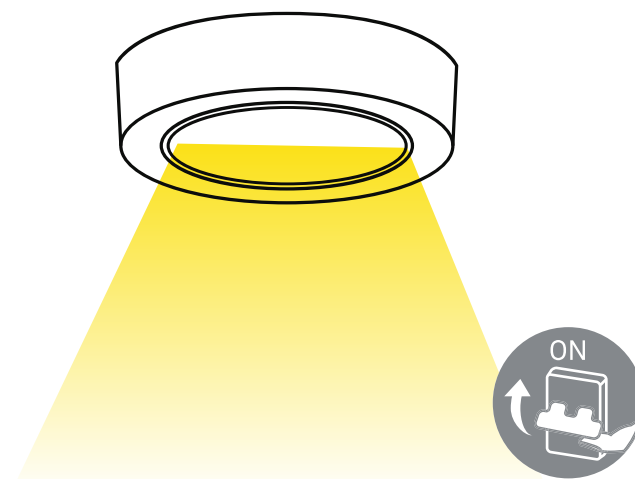
1. Loosen the screws on surface mounted frame.



2. Knock the anchor into the ceiling according to the hole distance and fix the mounting frame by screws.



3. Fix the connection ("L""N" into the terminal block).



4. Screw back the lamp to the frame according to step 1.

